



# R280-R290

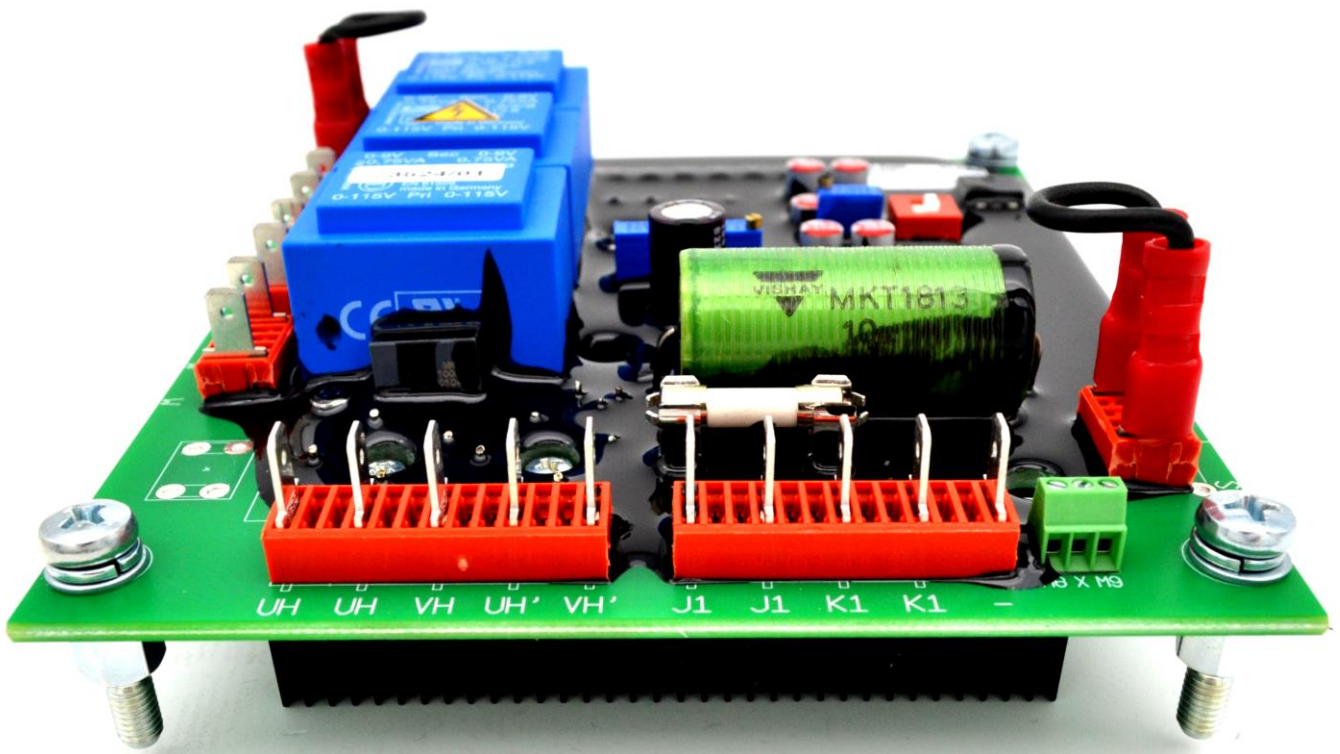
*EMRI replacement for the  
EME R280-R290  
AVK R260-R261  
AVK R260-R274*

*AVR's are used in generators  
EME DKB  
EME DR, DB  
EME SDR, SDB  
AVK DKB, DKB-TS*

## Appendix V1.0

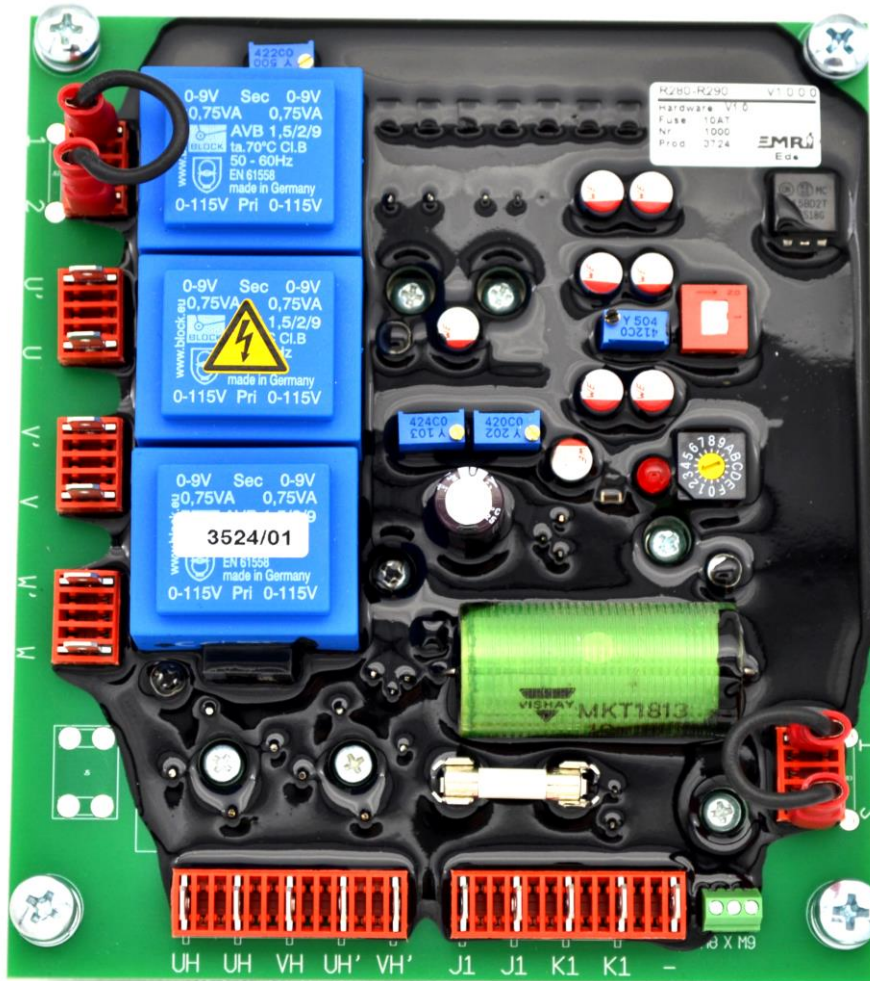
# AVR I

EMRI R280-R290



# AVR I I

## EMRI R280-R290



### Product information

- Measurements	: in mm. ( $L \times W \times H = 145 \times 127 \times 50$ mm)
- Weight	: +/- 0.5Kg.
- Mounting	: 1:1 ORIGINAL EME R280-R290
- Connecting	: 1:1 ORIGINAL EME R280-R290
- Wiring diagram	: See page 4..11.





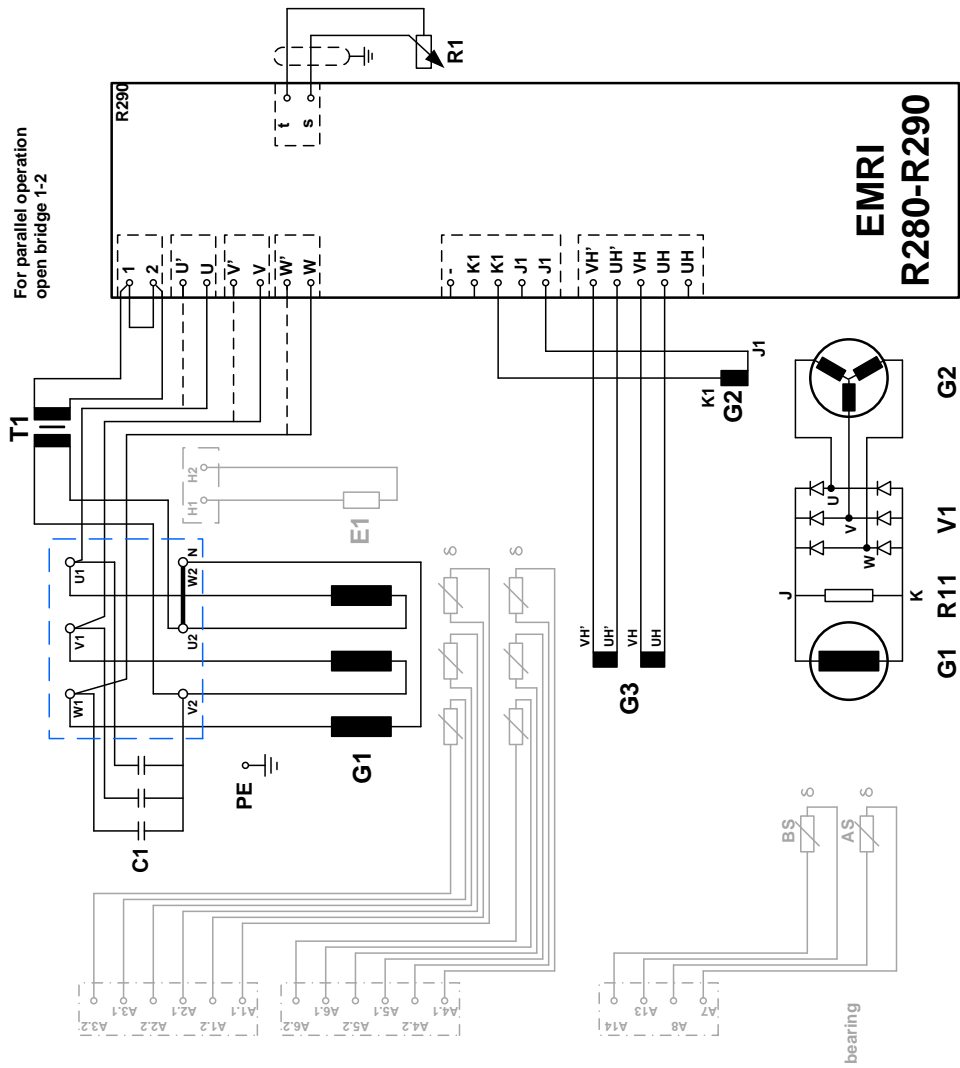
# WIRING DIAGRAM I I I

R280-R290 replacement for EME R280-R290 (S11.2.xx wiring diagram)

# EMRI (S11.2.xx)

## S11.2 wiring diagram. (General wiring diagram with CT for parallel operation)

S11.2.xx wiring diagram is with  $\delta$  (resistance thermometer) and E1 (anti condensation heater).



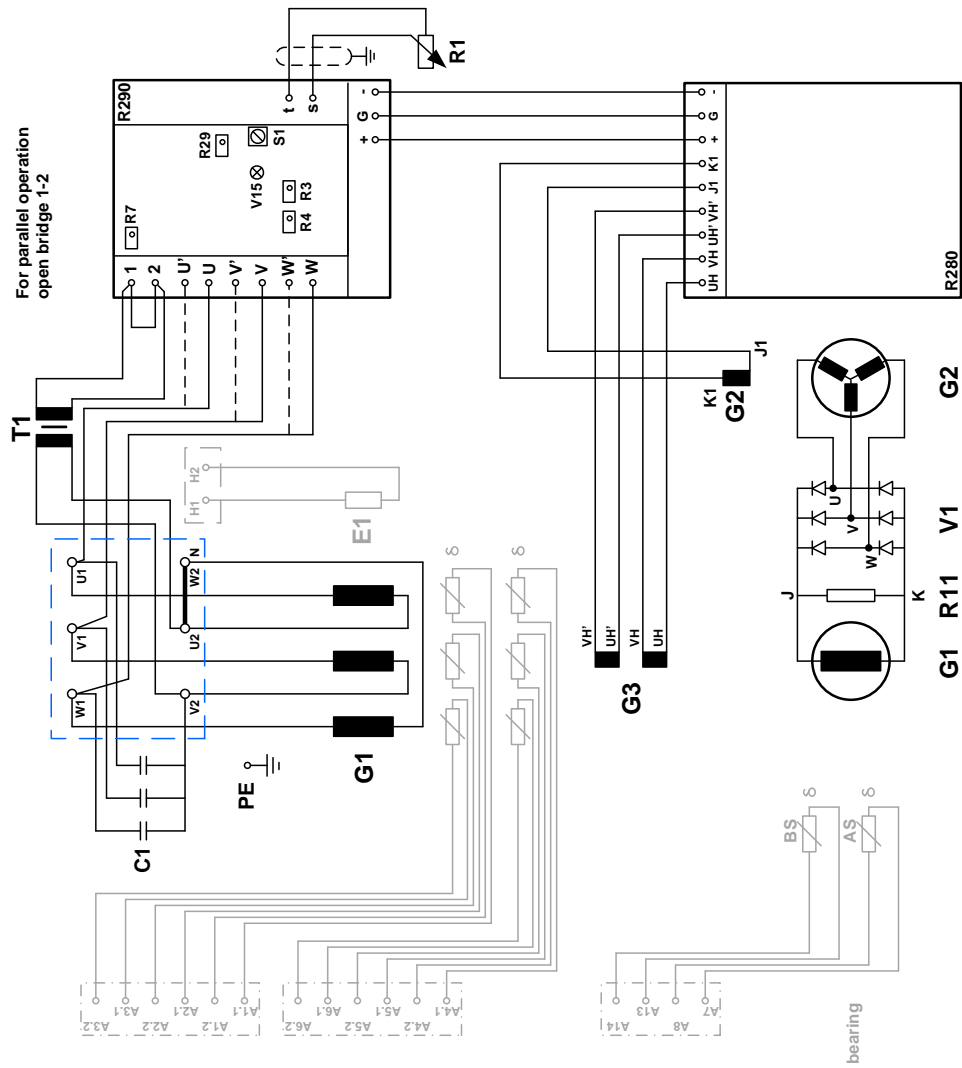
# WIRING DIAGRAM IV

Original EME R280-R290 (S11.2.xx wiring diagram)

EME (S11.2.xx)

## S11.2 wiring diagram. (General wiring diagram with CT for parallel operation)

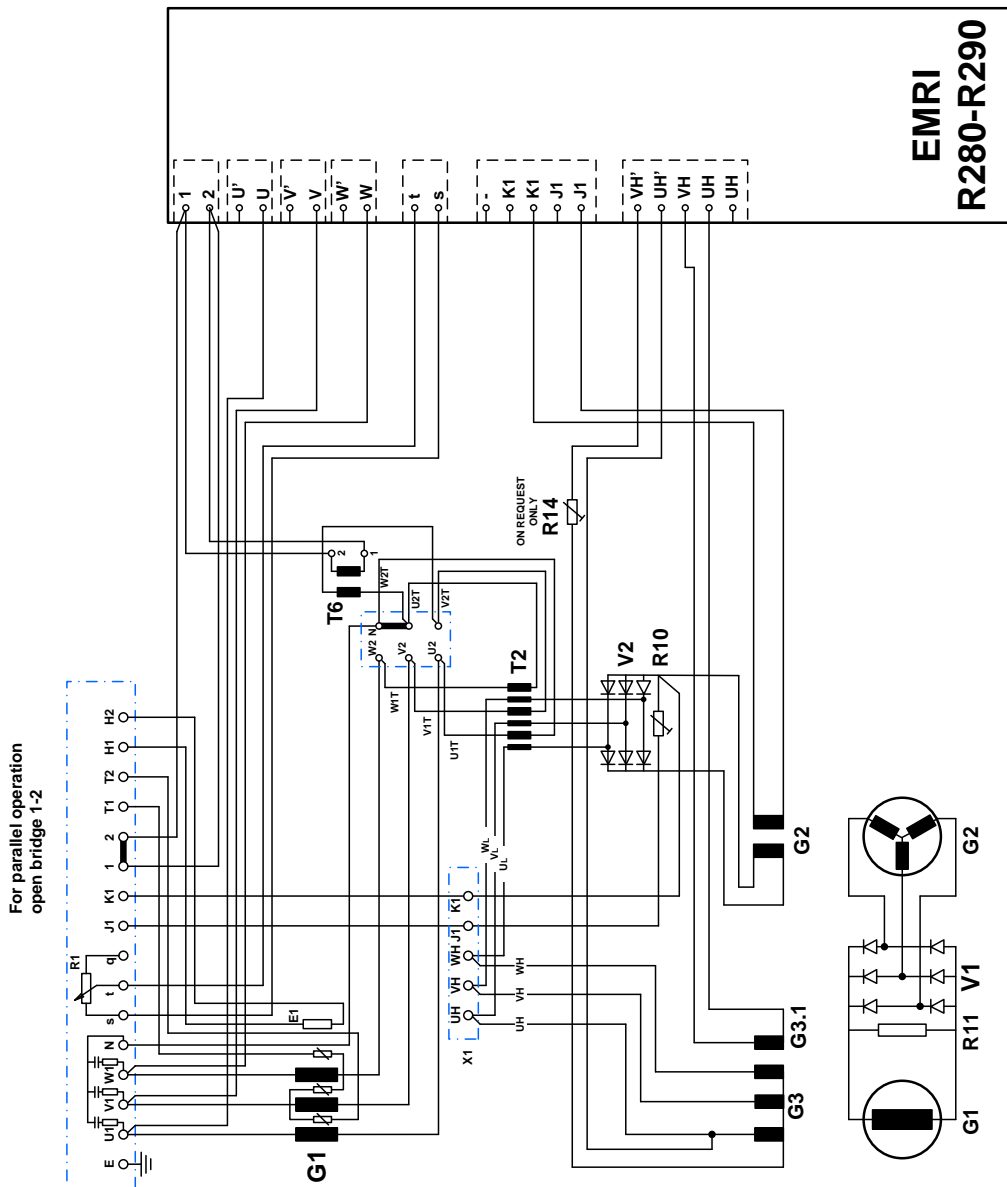
S11.2.xx wiring diagram is with  $\delta$  (resistance thermometer) and E1 (anti condensation heater).



# WIRING DIAGRAM V

EMRI R280-R290 replacement for AVK R260-R261 (D240.71)

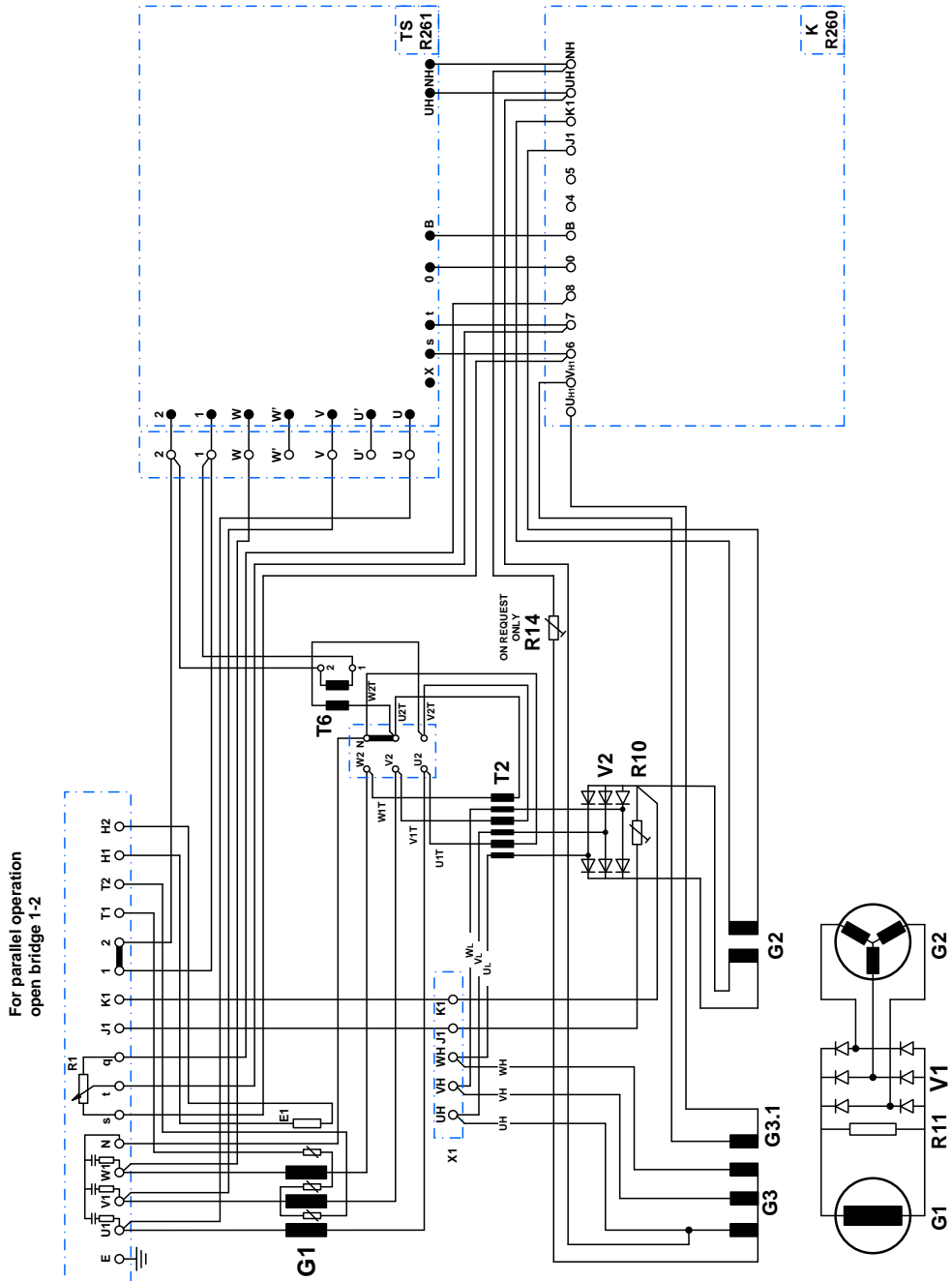
# EMRI (D240.71)



# WIRING DIAGRAM VI

Original AVK R260-R261 (D240.71)

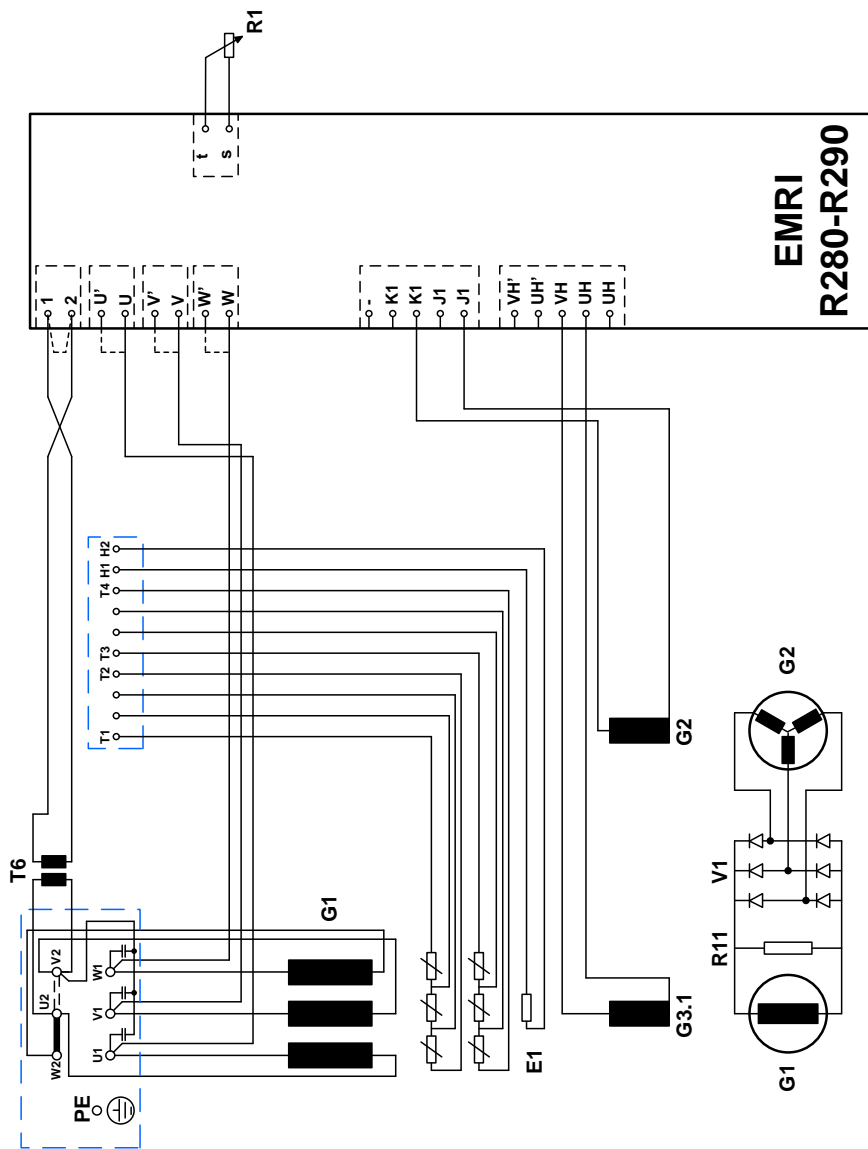
# AVK (D240.71)



# WIRING DIAGRAM VII

EMRI R280-R290 replacement for AVK R260.3-R274 (D270)

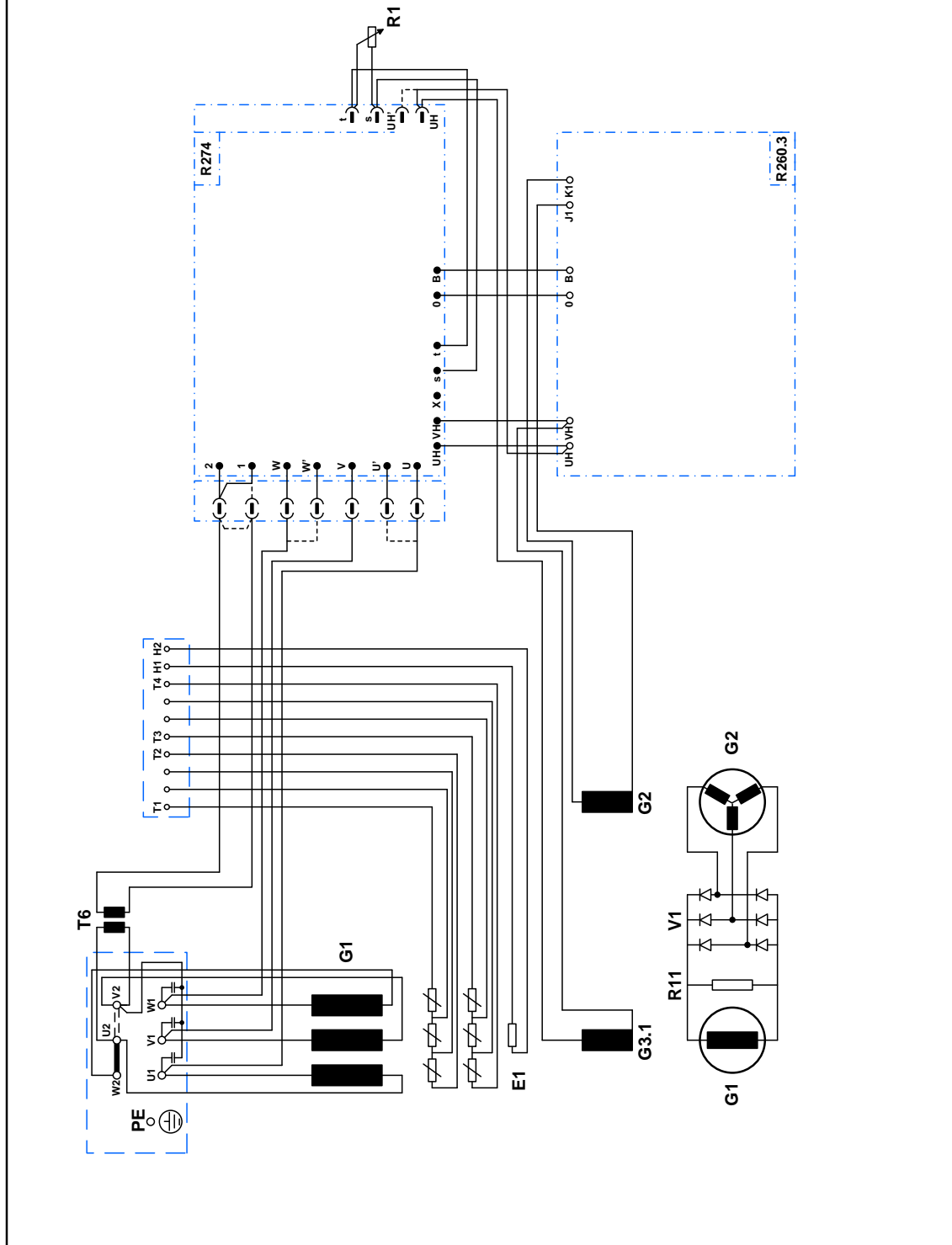
# EMRI (D270)



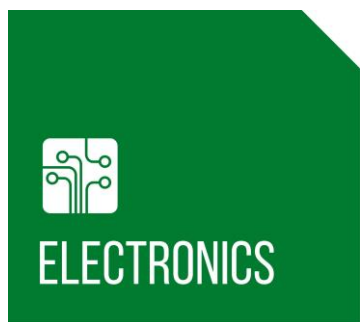
# WIRING DIAGRAM VIII

Original AVK R260.3-R274 (D270)

# AVK (D270)



# CONTACT



EMRI Electronics B.V.  
Morsestraat 10  
6716 AH, Ede, Netherlands  
Tel: +31 (0)318 620 427  
Website: [www.emri.nl](http://www.emri.nl)  
E-mail: [info@emri.nl](mailto:info@emri.nl)

**Manufacturer**



**CANARY ISLANDS**, Las Palmas  
**Zamakona Yards**  
Tel: +34 928467521  
Fax: +34 928461233  
Website: [www.zamakonayards.com/](http://www.zamakonayards.com/)  
E-mail: [ibetancor@zamakonayards.com](mailto:ibetancor@zamakonayards.com)

**CHILE**, Santiago  
**Lucio Vicencio y CIA.LTDA**  
Tel: +1-281-334-2904  
Fax: +1-832-221-5642  
Website: [www.luciovicencio.cl](http://www.luciovicencio.cl)  
E-mail: [luciovincencioltda@gmail.com](mailto:luciovincencioltda@gmail.com)

**GREECE**, Piraeus  
**Stavros Kassidiaris S.A.**  
Tel: +30 210 4636000  
Fax: +30 210 4624471  
Website: [www.kassidiaris.gr](http://www.kassidiaris.gr)  
E-mail: [info@kassidiaris.gr](mailto:info@kassidiaris.gr)

**ICELAND**, Hafnarfjordur  
**Rafeining ehf**  
Tel: +354 565 3049  
Fax: +354 565 3048  
Website: [www.rafeining.is](http://www.rafeining.is)  
E-mail: [rafeining@rafeining.is](mailto:rafeining@rafeining.is)

**INDIA**, Faridabad  
**Power Solutions**  
Tel: +91 9868907903  
Fax: +91 129 2431216  
Website: [www.psolindia.com](http://www.psolindia.com)  
E-mail: [ramesh.powersolutions@gmail.com](mailto:ramesh.powersolutions@gmail.com)

**NORWAY**, Bergen  
**Frydenbø Electric A/S**  
Tel: +47 55 34 91 00  
Fax: +47 55 34 91 10  
Website: [www.frydenbo.no](http://www.frydenbo.no)  
E-mail: [firma.fel@frydenboe.no](mailto:firma.fel@frydenboe.no)

**POLAND**, Gdynia  
**An-Elec Sp. z o.o.**  
Tel: +48 58 668 44 00  
Fax: +48 58 668 44 66  
Website: <http://an-elec.pl>  
E-mail: [info@an-elec.pl](mailto:info@an-elec.pl)

**POLAND**, Szczecin  
**MARCONTREL**  
Tel: +48 91 4 888 474  
Fax: +48 91 4 888 475  
Website: [www.marcontrol.com](http://www.marcontrol.com)  
E-mail: [emri@marcontrol.com](mailto:emri@marcontrol.com)

**POLAND**, Szczecin-Mierzyn  
**Marel Serwis**  
Tel: +48 91 48 58 388  
Fax: +48 91 48 79 948  
Website: [www.marel.szczecin.pl](http://www.marel.szczecin.pl)  
E-mail: [handel@marel.szczecin.pl](mailto:handel@marel.szczecin.pl)

**REPUBLIC OF PANAMA**, Panama  
**PASRAS S.A.**  
Tel: +507 3140095  
Fax: +507 3140094  
Website: [www.pasras.com](http://www.pasras.com)  
E-mail: [info@pasras.com](mailto:info@pasras.com)

**ROMANIA**, Constanta  
**SAMTEC SRL**  
Tel: +40 241 517 047  
Fax: +40 241 517 047  
Website: [www.samtec.ro](http://www.samtec.ro)  
E-mail: [samtec\\_srl@yahoo.com](mailto:samtec_srl@yahoo.com)

**SINGAPORE**, Singapore  
**Cyclelect Electrical Engineering**  
Tel: +65 6868 6013  
Fax: +65 6863 6260  
Website: [www.cyclelect.com.sg](http://www.cyclelect.com.sg)  
E-mail: [heng.p@cyclelect.com.sg](mailto:heng.p@cyclelect.com.sg)

**SOUTH AFRICA**, Roodepoort  
**Yneldo Electronics**  
Tel: +27(0)117637053  
Fax: +27(0)117634212  
Website: [www.yneldo.com](http://www.yneldo.com)  
E-mail: [yneldo@yneldo.com](mailto:yneldo@yneldo.com)

**SWEDEN**, Kungälv  
**Elektrisk Drivteknik EDT AB**  
Tel: +46-705-28 20 60  
Tel: +46-709-50 47 90  
Website: [www.edtab.se](http://www.edtab.se)  
E-mail: [info@edtab.se](mailto:info@edtab.se)

**THAILAND**, Bang Lamung  
**Semtec Maritime/Genetech Co.Ltd**  
Tel: +66 38301262  
Fax: +1-832-221-5642  
Website: [semtecmaritime.com/](http://semtecmaritime.com/)  
Email: [info@semtecmaritime.com](mailto:info@semtecmaritime.com)

**TURKEY**, Izmir  
**INTEGRAL**  
Tel: +90 (555) 211 55 75  
Email: [ozgur@integralguc.com](mailto:ozgur@integralguc.com)

**UNITED ARAB EMIRATES**, Sharjah  
**KDU Technical Services**  
Tel: +971-6-5575480  
Fax: +971-6-5575490  
Website: [www.kduworld.com](http://www.kduworld.com)  
E-mail: [info@kduworld.com](mailto:info@kduworld.com)

**UNITED KINGDOM**, Stockton on Tees  
**MJR Controls**  
Tel: +44 1642 762 151  
Fax: +44 1642 762 502  
Website: [www.mjrcontrols.com](http://www.mjrcontrols.com)  
Email: [chris.milner@mjrcontrols.com](mailto:chris.milner@mjrcontrols.com)

**UNITED KINGDOM**, Cheadle Hulme  
**TGS Total Generator Solutions Ltd**  
Tel: +44161 8188720  
Fax: +447754677963  
Website: <http://totalgeneratorsolutions.com>  
Email: [sales@totalgeneratorsolutions.com](mailto:sales@totalgeneratorsolutions.com)

**UNITED STATES**, Kemah - Texas  
**Ramtec Marine Systems LLC**  
Tel: +1-281-334-2904  
Fax: +1-832-221-5642  
Website: [www.ramtec-marine.com](http://www.ramtec-marine.com)  
Email: [waling@ramtec-marine.com](mailto:waling@ramtec-marine.com)